

GUARDIAN RFID (G0 Series) Electronic Hotel Lock

Be-Tech GUARDIAN RFID G0 Series is especially designed for hotel outdoor use.

Humidity, Temperature and Salinity conditions may have a heavy influence on the locks which install on outdoors face to beach or face to outside environment, but with the GUARDIAN 304SS finish and the sealed RFID module putted on inside escutcheon, it can equip your hotel with a reliable locking system that against harsh environment.

Be-Tech GUARDIAN RFID offers the latest and reliable Radio Frequency Identification (RFID) technology with reasonable price solution to go contactless for your hotel.

Be-Tech GUARDIAN RFID offers the most flexible platform for future All-in-one card applications.



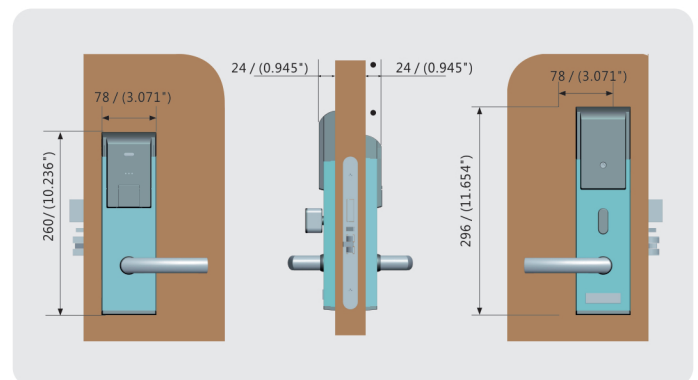
Features:

- Stand alone electronic lock with RFID technology.
- Fire Listed for usage on fire doors (EN).
- High security stainless steel mortise lockcase available in ANSI, AUS and EURO versions.
- Die-Casting handle with long lasting painting finish.
- 3-point stainless steel latch construction with antifriction mechanism.
- Mortise equipped 20mm throw high strength deadbolt.
- Panic release function - the deadbolt and latch are automatically retracted by inside handle for easy regress in emergency situation.
- ADA compliant (guest with physical disabilities).
- Future proof re-programmable FLASH RAM lock memory.
- Powered by four AA batteries that provide up to 1 year normal life time.
- 414 events audit trail.
- Compatible with BIS HOTEL software platform.
- High security mechanical override cylinder available.

RFID Specifications:

- 13.56MHz technology
- Compatible with the following standard : ISO 14443 A (MIFARE Classic)
- Eleven free sectors for future All-in-one card application use

Dimensions:

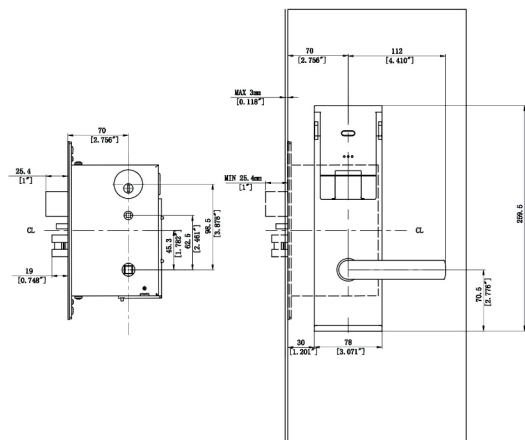


Your Hospitality Partner
Leading Keyless Solutions Since 1992

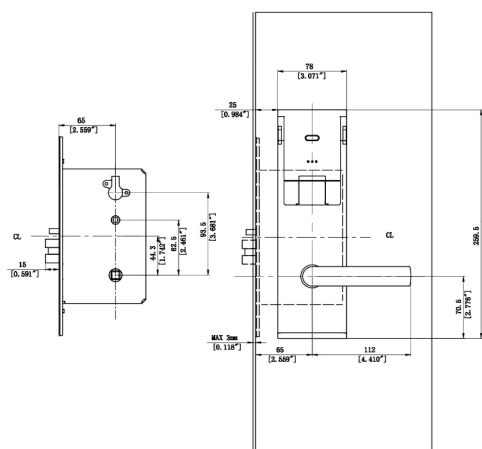
Technical Data:

Power	4 x 1.5V AA alkaline batteries
Battery Location	Inside of the back lock
Material	Handles: Stainless steel quality SUS304 Lock body: Stainless steel quality SUS304
Metal Finishes	Silver,
Emergency Opening Options	Emergency Opening with Mechanical cylinder
Locking Mechanism	Electro-mechanical locking mechanism
Door Thickness	35-80mm (only for EURO mortise)
System Software Compatibility	BIS Hotel
Storage Temperature	Workable -20°C~60°C: non-condensing environment
Tested Operating Temperature	Tested from -25°C~70°C
Certifications	Approved according to EN14846. Fire approved according to EN 1634-1 Fire approved according to UL(timber doors)
Supported RFID Standard	ISO 14443 A (MIFARE Classic)

ANSI lockcase



AUS lockcase



Lockcase Dimensions:

ANSI Lock Case Variants	ANSI DA
ANSI Lock Case Widths	28mm / 1.10 inches 31.5mm / 1.24 inches
ANSI Backset	70mm / 2.76 inches
EURO Lock Case Variants	EURO DA, available in: Australia version(AUS) Japan version(JPN)
EURO Lock Case Widths	22mm / 0.87 inches
EURO Backsets	65mm / 2.56 inches

EURO lockcase

