



## Be-Tech Smart Deadbolt

- Motorized Deadbolt
- Auto Locking
- Scramble Code



Matte Black

Easy Access  
Leading Keyless Solutions Since 1992



### Various access

There are PIN code and mechanical key for your choice.



### Vacation mode

You need to input two groups of user codes when you actinium vacation mode makes your home security when you are having vacation outside .



### Mute function

Turn on or turn off the beep sound is up to your decision.



### Illuminated keypad

ADA compliant telephone-style illuminated keypad for your convenience.



### Scramble code

When your friends or other people go home with you, scramble code supports you enter random digits before or after the correct access code.



### Automatic locking

Enable the auto lock function, the lock will automatically lock in 15 seconds.



### USB battery back-Up

The lock can be energized with a power backup when you forget to replace the batteries.



### Mechanical key override

For emergency, it can also be unlocked with a mechanical key.



Convenient



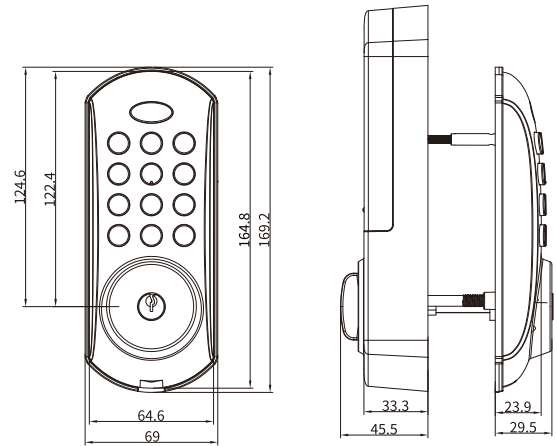
Model



Reliable



Safe



## Specification

Parts	Specifications	Remarks
Front(Front Body)	Zinc alloy 169mm*69mm*29.5mm	Temperature: Workable -20°C~55°C Humidity: Workable 20%~93% +/2RH
Back(Back Body)	ABS 201mm*25mm*45.5mm	
Door Thickness	1-3/8" to 2" (35mm to 50mm)	
Finish	Matte Black, Satin Nickel	
Pin-Codes	1 Master code and 20 User codes	
Latch	Adjustable backset 2-3/8" to 2-3/4" to fit all standard door preparations	
Battery	4 AA alkaline batteries	Last up to 12 months(10 times used a day)

Contact us:



**Guangdong Be-Tech Security Systems Limited**  
 No.17, Ronggui Technology Industrial Park  
 Keyuan 3rd Road, Shunde, Foshan  
 Guangdong, P.R.China  
 Tel: +86 757 28376123 | Fax: +86 757 28308823  
 E-mail: export@be-tech.com.cn | www.betechlock.com

Specifications may change without notice.