

Door Control Unit for BIS HOTEL

The Be-Tech Door Control Unit is the perfect solution to provide access control on common doors, such as parking barrier, health center, gym room, conference room, staff entrance, guest night entrance and more, our Door Control Unit is fully compatible with Be-Tech electronic locking systems and provides better guest experience for your hotels.



Features:

- Modern reader design in matte black color(for MJM model).
- Compatible with twins-reader mounting on passage door both side (optional to use).
- Snap-on mounting design easy to fix for surface mounted installation.
- Inward wireless 'Door Exit' switch is available to simple "out and go" for hotel guests.
- Compatible with BIS Hotel and BIS Locker systems.
- Can work with Electronic dropbolt, Electronic Magnet lock, Electronic strike.

Specifications:

DCU Model	MJM	2700M	
Supply voltage	18VDC	12VDC	
Supply current	6A	3A	
Load current, output 1	Max.3A @12VDC	Max.3A @12VDC	Resistive load
Load current, output 2	Max.3A @12VDC		Resistive load

Technical Data:

Each complete unit, supplied individually packed, consists of:

Model MJM:

- 1)Door Control Unit with reader.
- 2)Control box.
- 3)External Power supply.
- 4)Inward wireless Door Exit switch.

Model 2700M:

- 1)Door Control Unit with reader.
- 2)External power supply.
- 3)Inward wireless Door Exit switch.

Dimension-MJM:

Reader:

Height: 91 mm / 3.58 inch
Width: 104 mm / 4.09 inch
Depth: 39 mm / 1.54 inch

Relay box:

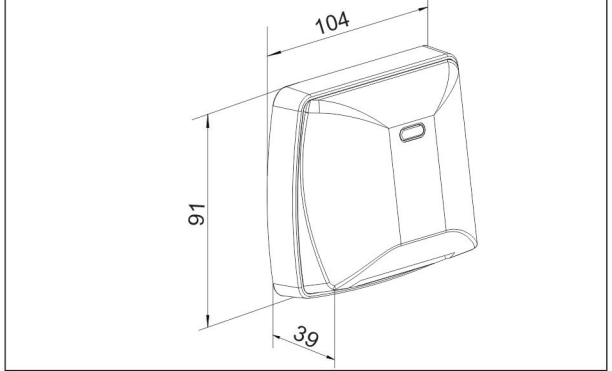
Height: 310 mm / 12.2 inch
Width: 160 mm / 6.3 inch
Depth: 72 mm / 2.83 inch

Dimension-2700M:

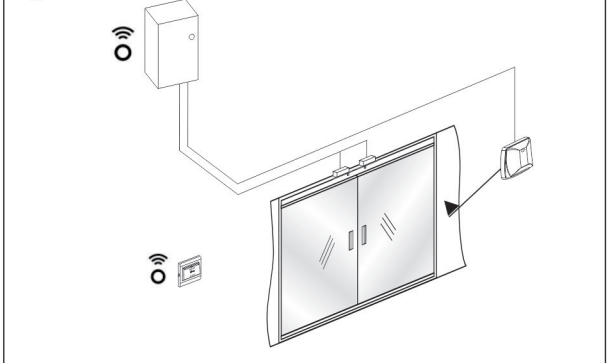
Reader:

Height: 153 mm / 6.02 inch
Width: 78 mm / 3.07 inch
Depth: 22 mm / 0.87 inch

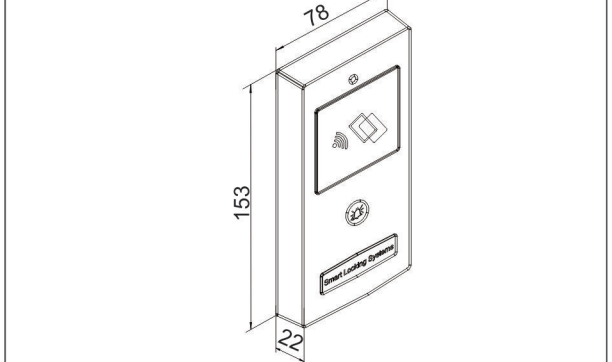
MJM Reader Dimensions:



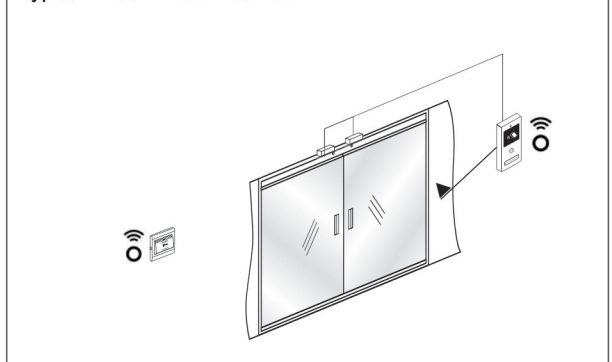
Typical MJM DCU installed:



2700M Reader Dimensions:



Typical 2700M DCU installed:



Guangdong Be-Tech Security Systems Limited
No.17, Ronggui Technology Industrial Park
Keyuan 3rd Road, Shunde, Foshan
Guangdong, P.R.China
Tel:+86 757 28376123 | Fax:+86 757 28308823
E-mail:export@be-tech.com.cn | www.betechlock.com

Specifications may change without notice.