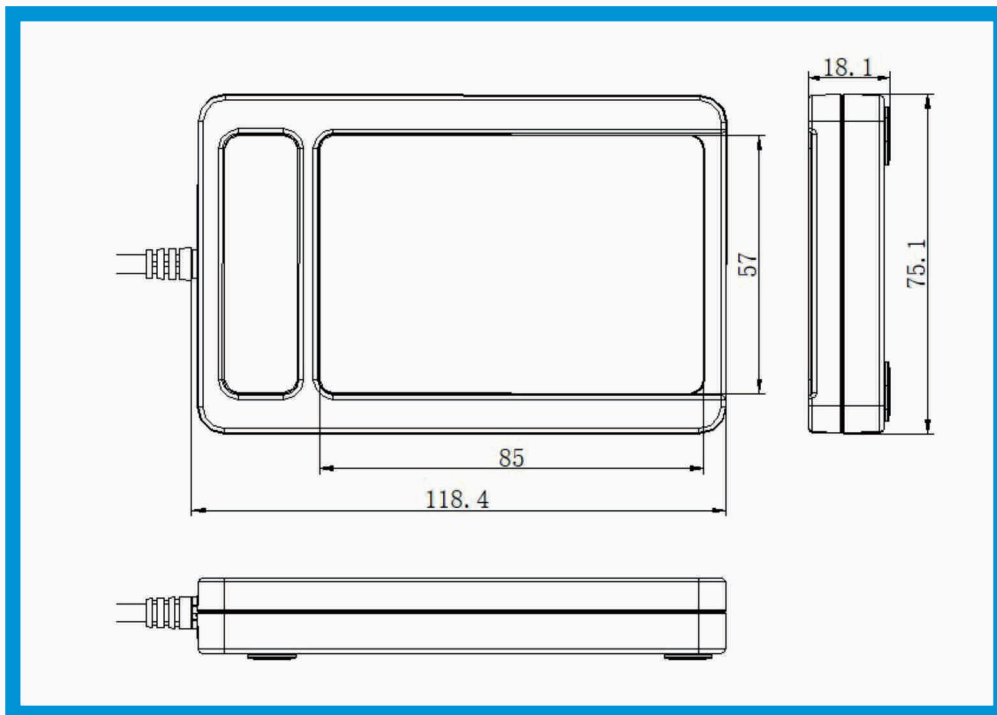


## RFID Encoder and Updater

This highly qualified and sophisticated RFID encoder and updater is embedded into one single device. It is designed with functionality, reliability and durability in mind.



### Dimensions:



## Technical Data:

### Physical Characteristics

Dimensions	120.5 mm (L) × 72.0 mm (W) × 20.4 mm (H)
Weight	140 g
Color	Black

### USB Host Interface

Protocol	USB HID Keyboard Class
Connector Type	Standard Type A
Power Source	From USB port
Speed	USB Full Speed (12 Mbps)
Supply Voltage	5 V
Supply Current	Max. 200 mA
Cable Length	2.0 m, Fixed

### Contactless Smart Card Interface

Standard	ISO 14443 A and B Parts 1-4
Protocol	ISO 14443 T=CL for ISO 14443-4-compliant cards T=CL Emulation for MIFARE Classic
Operating Frequency	13.56 MHz
Operating Distance	Up to 50 mm (depending on card type)
Smart Card Read/Write Speed	106 Kbps, 212 Kbps, 424 Kbps, 848 Kbps
Antenna Size	65 mm × 60 mm

### Built-in Peripherals

LED	2 single-color: Red and Green
Buzzer	Monotone

### Operating Conditions

Temperature	0 °C – 60 °C
Humidity	Max. 90% (non-condensing)
MTBF	500,000 hrs

#### Guangdong Be-Tech Security Systems Limited

No. 17, Ronggui Technology Industrial Park

Keyuan 3rd Road, Shunde, Foshan

Guangdong, P.R. China

Tel: +86 757 28376123 | Fax: +86 757 28308823

E-mail: [export@be-tech.com.cn](mailto:export@be-tech.com.cn) | [www.betechlock.com](http://www.betechlock.com)

Specifications may change without notice.